

FEATURES

EIA RS-485-/RS-422-compliant

Data rate options

ADM4850/ADM4854: 115 kbps

ADM4851/ADM4855: 500 kbps

ADM4852/ADM4856: 2.5 Mbps

ADM4853/ADM4857: 10 Mbps

Half- and full-duplex options

Reduced slew rates for low EMI

True fail-safe receiver inputs

5 μ A (maximum) supply current in shutdown mode

Up to 256 transceivers on one bus

Outputs high-Z when disabled or powered off

-7 V to +12 V bus common-mode range

Thermal shutdown and short-circuit protection

Pin-compatible with the MAX308x

Specified over the -40°C to +85°C temperature range

Available in 8-lead SOIC, LFCSP, and MSOP packages

Qualified for automotive applications

APPLICATIONS

Low power RS-485 applications

EMI-sensitive systems

DTE-DCE interfaces

Industrial control

Packet switching

Local area networks

Level translators

GENERAL DESCRIPTION

The ADM4850/ADM4851/ADM4852/ADM4853/ADM4854/ADM4855/ADM4856/ADM4857 are differential line transceivers suitable for high speed half- and full-duplex data communication on multipoint bus transmission lines. They are designed for balanced data transmission and comply with EIA Standards RS-485 and RS-422. The ADM4850/ADM4851/ADM4852/ADM4853 are half-duplex transceivers that share differential lines and have separate enable inputs for the driver and receiver. The full-duplex ADM4854/ADM4855/ADM4856/ADM4857 transceivers have dedicated differential line driver outputs and receiver inputs.

The parts have a 1/8-unit-load receiver input impedance, which allows up to 256 transceivers on one bus. Because only one driver should be enabled at any time, the output of a disabled or powered-down driver is three-stated to avoid overloading the bus.

The receiver inputs have a true fail-safe feature, which ensures a logic high output level when the inputs are open or shorted. This guarantees that the receiver outputs are in a known state

Rev. D

Information furnished by Analog Devices is believed to be accurate and reliable. However, no responsibility is assumed by Analog Devices for its use, nor for any infringements of patents or other rights of third parties that may result from its use. Specifications subject to change without notice. No license is granted by implication or otherwise under any patent or patent rights of Analog Devices. Trademarks and registered trademarks are the property of their respective owners.

FUNCTIONAL BLOCK DIAGRAMS

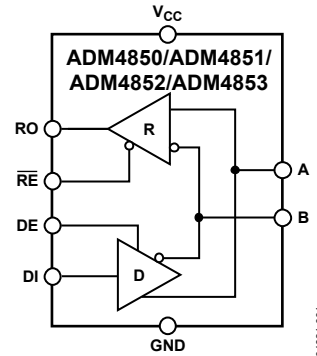


Figure 1.

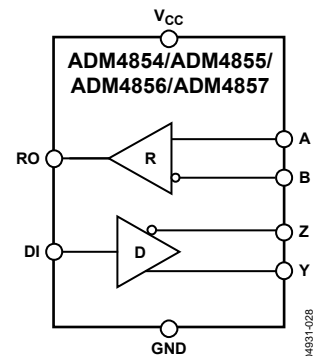


Figure 2.

before communication begins and when communication ends. The driver outputs are slew-rate limited to reduce EMI and data errors caused by reflections from improperly terminated buses. Excessive power dissipation caused by bus contention or by output shorting is prevented with a thermal shutdown circuit.

The parts are fully specified over the commercial and industrial temperature ranges and are available in 8-lead SOIC, LFCSP (ADM4850/ADM4851/ADM4852/ADM4853), and MSOP (ADM4850 only) packages.

Table 1. Selection Table

| Part No. | Half-/Full-Duplex | Data Rate |
|----------|-------------------|-----------|
| ADM4850 | Half | 115 kbps |
| ADM4851 | Half | 500 kbps |
| ADM4852 | Half | 2.5 Mbps |
| ADM4853 | Half | 10 Mbps |
| ADM4854 | Full | 115 kbps |
| ADM4855 | Full | 500 kbps |
| ADM4856 | Full | 2.5 Mbps |
| ADM4857 | Full | 10 Mbps |

TABLE OF CONTENTS

| | | | |
|--|---|--|----|
| Features | 1 | Test Circuits..... | 11 |
| Applications..... | 1 | Switching Characteristics | 12 |
| Functional Block Diagrams..... | 1 | Circuit Description..... | 13 |
| General Description | 1 | Slew-Rate Control | 13 |
| Revision History | 2 | Receiver Input Filtering..... | 13 |
| Specifications..... | 3 | Half-/Full-Duplex Operation | 13 |
| ADM4850/ADM4854 Timing Specifications..... | 4 | High Receiver Input Impedance | 14 |
| ADM4851/ADM4855 Timing Specifications..... | 4 | Three-State Bus Connection..... | 14 |
| ADM4852/ADM4856 Timing Specifications..... | 5 | Shutdown Mode | 14 |
| ADM4853/ADM4857 Timing Specifications..... | 5 | Fail-Safe Operation | 14 |
| Absolute Maximum Ratings..... | 6 | Current Limit and Thermal Shutdown | 14 |
| ESD Caution..... | 6 | Outline Dimensions | 15 |
| Pin Configurations and Function Descriptions | 7 | Ordering Guide | 16 |
| Typical Performance Characteristics | 9 | Automotive Product..... | 16 |

REVISION HISTORY

1/12—Rev. C to Rev. D

| | |
|---|----|
| Change to Features Section | 1 |
| Changes to Ordering Guide | 15 |
| Added Automotive Products Section | 15 |

1/11—Rev. B to Rev. C

| | |
|--|----|
| Change to Table 8, Pin 3 Description | 7 |
| Changes to Figure 29..... | 12 |
| Changes to Ordering Guide | 15 |

7/09—Rev. A to Rev. B

| | |
|---|------------|
| Added MSOP Package | Throughout |
| Changes to Table 2..... | 3 |
| Changes to Table 7..... | 6 |
| Added Figure 4; Renumbered Figures Sequentially..... | 7 |
| Moved Typical Performance Characteristics Section | 8 |
| Changes to Figure 24, Figure 27 | 11 |
| Changes to Figure 29..... | 12 |
| Change to Shutdown Mode Section..... | 13 |
| Updated Outline Dimensions | 14 |
| Changes to Ordering Guide | 15 |

4/09—Rev. 0 to Rev. A

| | |
|---------------------------------|----|
| Changes to Ordering Guide | 15 |
|---------------------------------|----|

10/04—Revision 0: Initial Version

ADM4850/ADM4851/ADM4852/ADM4853/ADM4854/ADM4855/ADM4856/ADM4857

SPECIFICATIONS

$V_{CC} = 5\text{ V} \pm 5\%$, $T_A = T_{MIN}$ to T_{MAX} , unless otherwise noted.

Table 2.

| Parameter | Min | Typ | Max | Unit | Test Conditions/Comments |
|---|------|------|----------|---------------|--|
| DRIVER | | | | | |
| Differential Output Voltage, V_{OD} | | | V_{CC} | V | $R = \infty$, see Figure 18 ¹ |
| | 2.0 | | 5 | V | $R = 50\ \Omega$ (RS-422), see Figure 18 |
| | 1.5 | | 5 | V | $R = 27\ \Omega$ (RS-485), see Figure 18 |
| $ V_{OD3} $ | 1.5 | | 5 | V | $V_{TST} = -7\text{ V}$ to 12 V , see Figure 19 |
| $\Delta V_{OD} $ for Complementary Output States | | | 0.2 | V | $R = 27\ \Omega$ or $50\ \Omega$, see Figure 18 |
| Common-Mode Output Voltage, V_{OC} | | | 3 | V | $R = 27\ \Omega$ or $50\ \Omega$, see Figure 18 |
| $\Delta V_{OC} $ for Complementary Output States | | | 0.2 | V | $R = 27\ \Omega$ or $50\ \Omega$, see Figure 18 |
| Output Short-Circuit Current, $V_{OUT} = \text{High}$ | -200 | | +200 | mA | $-7\text{ V} < V_{OUT} < +12\text{ V}$ |
| Output Short-Circuit Current, $V_{OUT} = \text{Low}$ | -200 | | +200 | mA | $-7\text{ V} < V_{OUT} < +12\text{ V}$ |
| DRIVER INPUT LOGIC | | | | | |
| CMOS Input Logic Threshold Low | | | 0.8 | V | |
| CMOS Input Logic Threshold High | 2.0 | | | V | |
| CMOS Logic Input Current (DI) | | | ± 1 | μA | |
| DE Input Resistance to GND | | 220 | | k Ω | |
| RECEIVER | | | | | |
| Differential Input Threshold Voltage, V_{TH} | -200 | -125 | -30 | mV | $-7\text{ V} < V_{OC} < +12\text{ V}$ |
| Input Hysteresis | | 20 | | mV | $-7\text{ V} < V_{OC} < +12\text{ V}$ |
| Input Resistance (A, B) | 96 | 150 | | k Ω | $-7\text{ V} < V_{OC} < +12\text{ V}$ |
| Input Current (A, B) | | | 0.125 | mA | $V_{IN} = +12\text{ V}$ |
| | | | -0.1 | mA | $V_{IN} = -7\text{ V}$ |
| CMOS Logic Input Current (\overline{RE}) | | | ± 1 | μA | |
| CMOS Output Voltage Low | | | 0.4 | V | $I_{OUT} = +4\text{ mA}$ |
| CMOS Output Voltage High | 4.0 | | | V | $I_{OUT} = -4\text{ mA}$ |
| Output Short-Circuit Current | 7 | | 85 | mA | $V_{OUT} = \text{GND}$ or V_{CC} |
| Three-State Output Leakage Current | | | ± 2 | μA | $0.4\text{ V} \leq V_{OUT} \leq 2.4\text{ V}$ |
| POWER SUPPLY CURRENT | | | | | |
| 115 kbps Options (ADM4850/ADM4854) | | | 5 | μA | $DE = 0\text{ V}, \overline{RE} = V_{CC}$ (shutdown) |
| | | 36 | 60 | μA | $DE = 0\text{ V}, \overline{RE} = 0\text{ V}$ |
| | | 100 | 160 | μA | $DE = V_{CC}$ |
| 500 kbps Options (ADM4851/ADM4855) | | | 5 | μA | $DE = 0\text{ V}, \overline{RE} = V_{CC}$ (shutdown) |
| | | 80 | 120 | μA | $DE = 0\text{ V}, \overline{RE} = 0\text{ V}$ |
| | | 120 | 200 | μA | $DE = V_{CC}$ |
| 2.5 Mbps Options (ADM4852/ADM4856) | | | 5 | μA | $DE = 0\text{ V}, \overline{RE} = V_{CC}$ (shutdown) |
| | | 250 | 400 | μA | $DE = 0\text{ V}, \overline{RE} = 0\text{ V}$ |
| | | 320 | 500 | μA | $DE = V_{CC}$ |
| 10 Mbps Options (ADM4853/ADM4857) | | | 5 | μA | $DE = 0\text{ V}, \overline{RE} = V_{CC}$ (shutdown) |
| | | 250 | 400 | μA | $DE = 0\text{ V}, \overline{RE} = 0\text{ V}$ |
| | | 320 | 500 | μA | $DE = V_{CC}$ |

¹ Guaranteed by design.

ADM4850/ADM4851/ADM4852/ADM4853/ADM4854/ADM4855/ADM4856/ADM4857

ADM4850/ADM4854 TIMING SPECIFICATIONS

$V_{CC} = 5 V \pm 5\%$, $T_A = T_{MIN}$ to T_{MAX} , unless otherwise noted.

Table 3.

| Parameter | Min | Typ | Max | Unit | Test Conditions/Comments |
|--|-----|------|------|------|--|
| DRIVER | | | | | |
| Maximum Data Rate | 115 | | | kbps | |
| Propagation Delay, t_{PLH} , t_{PHL} | 600 | | 2500 | ns | $R_{L,DIFF} = 54 \Omega$, $C_{L1} = C_{L2} = 100$ pF, see Figure 20 |
| Skew, t_{SKEW} | | | 70 | ns | $R_{L,DIFF} = 54 \Omega$, $C_{L1} = C_{L2} = 100$ pF, see Figure 20 |
| Rise/Fall Times, t_r , t_f | 600 | | 2400 | ns | $R_{L,DIFF} = 54 \Omega$, $C_{L1} = C_{L2} = 100$ pF, see Figure 20 |
| Enable Time, t_{ZH} | | | 2000 | ns | $R_L = 500 \Omega$, $C_L = 100$ pF, see Figure 21, ADM4850 |
| Disable Time, t_{ZL} | | | 2000 | ns | $R_L = 500 \Omega$, $C_L = 15$ pF, see Figure 21, ADM4850 |
| Enable Time from Shutdown | | 4000 | | ns | $R_L = 500 \Omega$, $C_L = 100$ pF, see Figure 21, ADM4850 |
| RECEIVER | | | | | |
| Propagation Delay, t_{PLH} , t_{PHL} | 400 | | 1000 | ns | $C_L = 15$ pF, see Figure 22 |
| Differential Skew, t_{SKEW} | | | 255 | ns | $C_L = 15$ pF, see Figure 22 |
| Enable Time | | 5 | 50 | ns | $R_L = 1$ k Ω , $C_L = 15$ pF, see Figure 23, ADM4850 |
| Disable Time | | 20 | 50 | ns | $R_L = 1$ k Ω , $C_L = 15$ pF, see Figure 23, ADM4850 |
| Enable Time from Shutdown | | 4000 | | ns | $R_L = 1$ k Ω , $C_L = 15$ pF, see Figure 23, ADM4850 |
| Time to Shutdown | 50 | 330 | 3000 | ns | ADM4850 ¹ |

¹ The half-duplex device is put into shutdown mode by driving \overline{RE} high and DE low. If these inputs are in this state for less than 50 ns, the device is guaranteed not to enter shutdown mode. If the enable inputs are in this state for at least 3000 ns, the device is guaranteed to enter shutdown mode.

ADM4851/ADM4855 TIMING SPECIFICATIONS

$V_{CC} = 5 V \pm 5\%$, $T_A = T_{MIN}$ to T_{MAX} , unless otherwise noted.

Table 4.

| Parameter | Min | Typ | Max | Unit | Test Conditions/Comments |
|--|-----|------|------|------|--|
| DRIVER | | | | | |
| Maximum Data Rate | 500 | | | kbps | |
| Propagation Delay, t_{PLH} , t_{PHL} | 250 | | 600 | ns | $R_{L,DIFF} = 54 \Omega$, $C_{L1} = C_{L2} = 100$ pF, see Figure 20 |
| Skew, t_{SKEW} | | | 40 | ns | $R_{L,DIFF} = 54 \Omega$, $C_{L1} = C_{L2} = 100$ pF, see Figure 20 |
| Rise/Fall Times, t_r , t_f | 200 | | 600 | ns | $R_{L,DIFF} = 54 \Omega$, $C_{L1} = C_{L2} = 100$ pF, see Figure 20 |
| Enable Time, t_{ZH} | | | 1000 | ns | $R_L = 500 \Omega$, $C_L = 100$ pF, see Figure 21, ADM4851 |
| Disable Time, t_{ZL} | | | 1000 | ns | $R_L = 500 \Omega$, $C_L = 15$ pF, see Figure 21, ADM4851 |
| Enable Time from Shutdown | | 4000 | | ns | $R_L = 500 \Omega$, $C_L = 100$ pF, see Figure 21, ADM4851 |
| RECEIVER | | | | | |
| Propagation Delay, t_{PLH} , t_{PHL} | 400 | | 1000 | ns | $C_L = 15$ pF, see Figure 22 |
| Differential Skew, t_{SKEW} | | | 250 | ns | $C_L = 15$ pF, see Figure 22 |
| Enable Time | | 5 | 50 | ns | $R_L = 1$ k Ω , $C_L = 15$ pF, see Figure 23, ADM4851 |
| Disable Time | | 20 | 50 | ns | $R_L = 1$ k Ω , $C_L = 15$ pF, see Figure 23, ADM4851 |
| Enable Time from Shutdown | | 4000 | | ns | $R_L = 1$ k Ω , $C_L = 15$ pF, see Figure 23, ADM4851 |
| Time to Shutdown | 50 | 330 | 3000 | ns | ADM4851 ¹ |

¹ The half-duplex device is put into shutdown mode by driving \overline{RE} high and DE low. If these inputs are in this state for less than 50 ns, the device is guaranteed not to enter shutdown mode. If the enable inputs are in this state for at least 3000 ns, the device is guaranteed to enter shutdown mode.

ADM4850/ADM4851/ADM4852/ADM4853/ADM4854/ADM4855/ADM4856/ADM4857

ADM4852/ADM4856 TIMING SPECIFICATIONS

$V_{CC} = 5\text{ V} \pm 5\%$, $T_A = T_{MIN}$ to T_{MAX} , unless otherwise noted.

Table 5.

| Parameter | Min | Typ | Max | Unit | Test Conditions/Comments |
|--|-----|------|------|------|--|
| DRIVER | | | | | |
| Maximum Data Rate | 2.5 | | | Mbps | |
| Propagation Delay, t_{PLH} , t_{PHL} | 50 | | 180 | ns | $R_{LDIFF} = 54\ \Omega$, $C_{L1} = C_{L2} = 100\text{ pF}$, see Figure 20 |
| Skew, t_{SKEW} | | | 50 | ns | $R_{LDIFF} = 54\ \Omega$, $C_{L1} = C_{L2} = 100\text{ pF}$, see Figure 20 |
| Rise/Fall Times, t_r , t_f | | | 140 | ns | $R_{LDIFF} = 54\ \Omega$, $C_{L1} = C_{L2} = 100\text{ pF}$, see Figure 20 |
| Enable Time, t_{ZH} | | | 180 | ns | $R_L = 500\ \Omega$, $C_L = 100\text{ pF}$, see Figure 21, ADM4852 |
| Disable Time, t_{ZL} | | | 180 | ns | $R_L = 500\ \Omega$, $C_L = 15\text{ pF}$, see Figure 21, ADM4852 |
| Enable Time from Shutdown | | 4000 | | ns | $R_L = 500\ \Omega$, $C_L = 100\text{ pF}$, see Figure 21, ADM4852 |
| RECEIVER | | | | | |
| Propagation Delay, t_{PLH} , t_{PHL} | 55 | | 190 | ns | $C_L = 15\text{ pF}$, see Figure 22 |
| Differential Skew, t_{SKEW} | | | 50 | ns | $C_L = 15\text{ pF}$, see Figure 22 |
| Enable Time | | 5 | 50 | ns | $R_L = 1\text{ k}\Omega$, $C_L = 15\text{ pF}$, see Figure 23, ADM4852 |
| Disable Time | | 20 | 50 | ns | $R_L = 1\text{ k}\Omega$, $C_L = 15\text{ pF}$, see Figure 23, ADM4852 |
| Enable Time from Shutdown | | 4000 | | ns | $R_L = 1\text{ k}\Omega$, $C_L = 15\text{ pF}$, see Figure 23, ADM4852 |
| Time to Shutdown | 50 | 330 | 3000 | ns | ADM4852 ¹ |

¹ The half-duplex device is put into shutdown mode by driving \overline{RE} high and DE low. If these inputs are in this state for less than 50 ns, the device is guaranteed not to enter shutdown mode. If the enable inputs are in this state for at least 3000 ns, the device is guaranteed to enter shutdown mode.

ADM4853/ADM4857 TIMING SPECIFICATIONS

$V_{CC} = 5\text{ V} \pm 5\%$, $T_A = T_{MIN}$ to T_{MAX} , unless otherwise noted.

Table 6.

| Parameter | Min | Typ | Max | Unit | Test Conditions/Comments |
|--|-----|------|------|------|--|
| DRIVER | | | | | |
| Maximum Data Rate | 10 | | | Mbps | |
| Propagation Delay, t_{PLH} , t_{PHL} | 0 | | 30 | ns | $R_{LDIFF} = 54\ \Omega$, $C_{L1} = C_{L2} = 100\text{ pF}$, see Figure 20 |
| Skew, t_{SKEW} | | | 10 | ns | $R_{LDIFF} = 54\ \Omega$, $C_{L1} = C_{L2} = 100\text{ pF}$, see Figure 20 |
| Rise/Fall Times, t_r , t_f | | | 30 | ns | $R_{LDIFF} = 54\ \Omega$, $C_{L1} = C_{L2} = 100\text{ pF}$, see Figure 20 |
| Enable Time, t_{ZH} | | | 35 | ns | $R_L = 500\ \Omega$, $C_L = 100\text{ pF}$, see Figure 21, ADM4853 |
| Disable Time, t_{ZL} | | | 35 | ns | $R_L = 500\ \Omega$, $C_L = 15\text{ pF}$, see Figure 21, ADM4853 |
| Enable Time from Shutdown | | 4000 | | ns | $R_L = 500\ \Omega$, $C_L = 100\text{ pF}$, see Figure 21, ADM4853 |
| RECEIVER | | | | | |
| Propagation Delay, t_{PLH} , t_{PHL} | 55 | | 190 | ns | $C_L = 15\text{ pF}$, see Figure 22 |
| Differential Skew, t_{SKEW} | | | 30 | ns | $C_L = 15\text{ pF}$, see Figure 22 |
| Enable Time | | 5 | 50 | ns | $R_L = 1\text{ k}\Omega$, $C_L = 15\text{ pF}$, see Figure 23, ADM4853 |
| Disable Time | | 20 | 50 | ns | $R_L = 1\text{ k}\Omega$, $C_L = 15\text{ pF}$, see Figure 23, ADM4853 |
| Enable Time from Shutdown | | 4000 | | ns | $R_L = 1\text{ k}\Omega$, $C_L = 15\text{ pF}$, see Figure 23, ADM4853 |
| Time to Shutdown | 50 | 330 | 3000 | ns | ADM4853 ¹ |

¹ The half-duplex device is put into shutdown mode by driving \overline{RE} high and DE low. If these inputs are in this state for less than 50 ns, the device is guaranteed not to enter shutdown mode. If the enable inputs are in this state for at least 3000 ns, the device is guaranteed to enter shutdown mode.

ABSOLUTE MAXIMUM RATINGS

Table 7.

| Parameter | Rating |
|--|-----------------------------------|
| V _{CC} to GND | 6 V |
| Digital I/O Voltage (DE, \overline{RE} , DI, RO) | -0.3 V to V _{CC} + 0.3 V |
| Driver Output/Receiver Input Voltage | -9 V to +14 V |
| Operating Temperature Range | -40°C to +85°C |
| Storage Temperature Range | -65°C to +125°C |
| θ _{JA} Thermal Impedance | |
| SOIC | 110°C/W |
| LFCSP | 62°C/W |
| MSOP | 133.1°C/W |
| Lead Temperature | |
| Soldering (10 sec) | 300°C |
| Vapor Phase (60 sec) | 215°C |
| Infrared (15 sec) | 220°C |

Stresses above those listed under Absolute Maximum Ratings may cause permanent damage to the device. This is a stress rating only; functional operation of the device at these or any other conditions above those indicated in the operational section of this specification is not implied. Exposure to absolute maximum rating conditions for extended periods may affect device reliability.

ESD CAUTION



ESD (electrostatic discharge) sensitive device. Charged devices and circuit boards can discharge without detection. Although this product features patented or proprietary protection circuitry, damage may occur on devices subjected to high energy ESD. Therefore, proper ESD precautions should be taken to avoid performance degradation or loss of functionality.

ADM4850/ADM4851/ADM4852/ADM4853/ADM4854/ADM4855/ADM4856/ADM4857

PIN CONFIGURATIONS AND FUNCTION DESCRIPTIONS

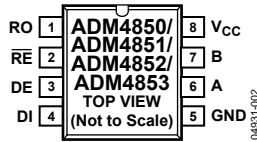
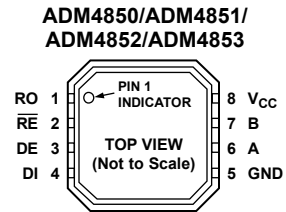


Figure 3. ADM4850/ADM4851/ADM4852/ADM4853 Pin Configuration, SOIC and MSOP



NOTES
 1. THE EXPOSED PADDLE ON THE UNDERSIDE OF THE PACKAGE SHOULD BE SOLDERED TO THE GROUND PLANE TO INCREASE THE RELIABILITY OF THE SOLDER JOINTS AND TO MAXIMIZE THE THERMAL CAPABILITY OF THE PACKAGE.

Figure 4. ADM4850/ADM4851/ADM4852/ADM4853 Pin Configuration, LFCSP

Table 8. ADM4850/ADM4851/ADM4852/ADM4853 Pin Descriptions

| Pin No. | Mnemonic | Description |
|---------|-----------------|---|
| 1 | RO | Receiver Output. When RO is enabled, if $(A - B) \geq -30$ mV, RO = high; if $(A - B) \leq -200$ mV, RO = low. |
| 2 | \overline{RE} | Receiver Output Enable. A low level on this pin enables the receiver output, RO. A high level places RO into a high impedance state. |
| 3 | DE | Driver Output Enable. A high level on this pin enables the driver differential outputs, A and B. A low level places them into a high impedance state. |
| 4 | DI | Driver Input. When the driver is enabled, a logic low on DI forces A low and B high, whereas a logic high on DI forces A high and B low. |
| 5 | GND | Ground. |
| 6 | A | Noninverting Receiver Input A/Noninverting Driver Output A. |
| 7 | B | Inverting Receiver Input B/Inverting Driver Output B. |
| 8 | V _{CC} | 5 V Power Supply. |

ADM4850/ADM4851/ADM4852/ADM4853/ADM4854/ADM4855/ADM4856/ADM4857

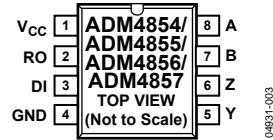


Figure 5. ADM4854/ADM4855/ADM4856/ADM4857 Pin Configuration, SOIC

Table 9. ADM4854/ADM4855/ADM4856/ADM4857 Pin Descriptions

| Pin No. | Mnemonic | Description |
|---------|-----------------|--|
| 1 | V _{CC} | 5 V Power Supply. |
| 2 | RO | Receiver Output. When RO is enabled, if $(A - B) \geq -30$ mV, RO = high; if $(A - B) \leq -200$ mV, RO = low. |
| 3 | DI | Driver Input. When the driver is enabled, a logic low on DI forces Y low and Z high, whereas a logic high on DI forces Y high and Z low. |
| 4 | GND | Ground. |
| 5 | Y | Noninverting Driver Output. |
| 6 | Z | Inverting Driver Output. |
| 7 | B | Inverting Receiver Input. |
| 8 | A | Noninverting Receiver Input. |

TYPICAL PERFORMANCE CHARACTERISTICS

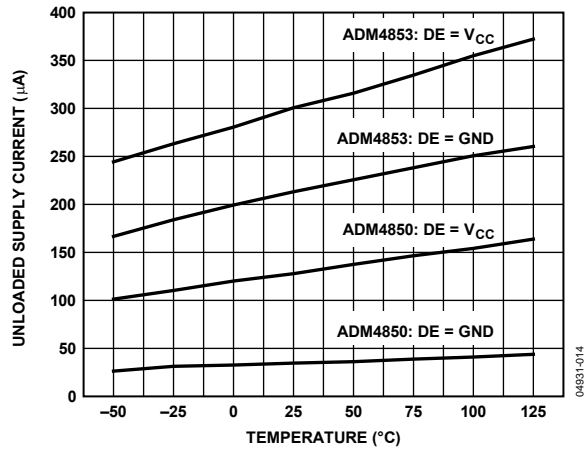


Figure 6. Unloaded Supply Current vs. Temperature

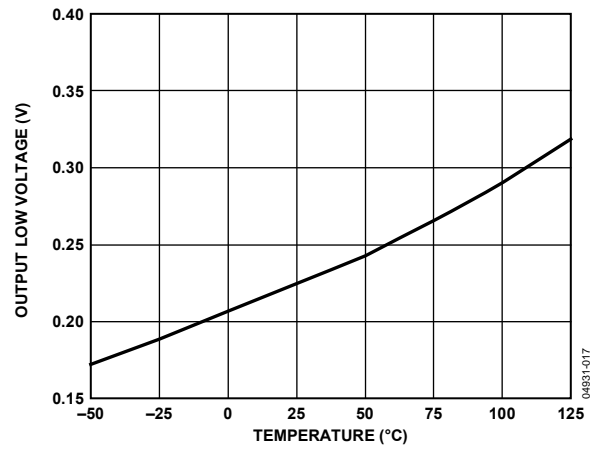


Figure 9. Receiver Output Low Voltage vs. Temperature

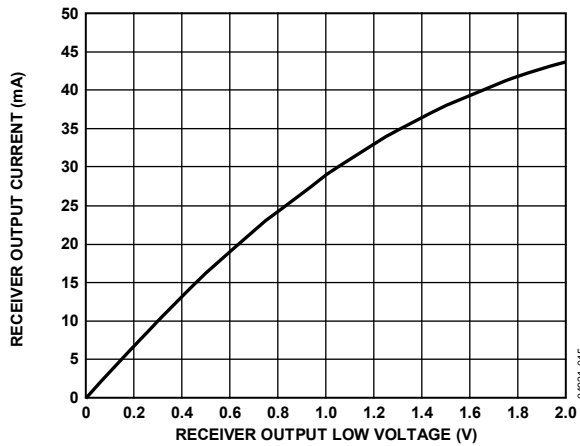


Figure 7. Receiver Output Current vs. Receiver Output Low Voltage

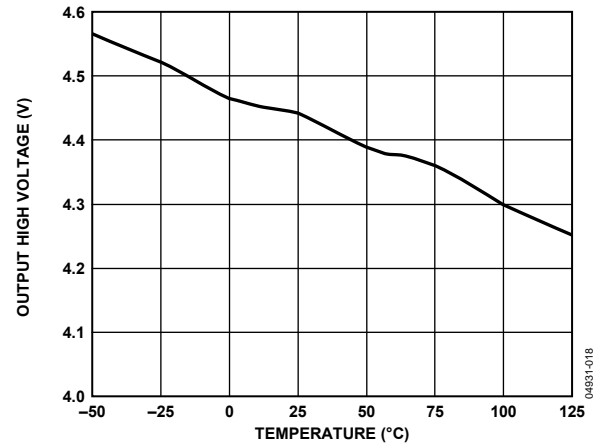


Figure 10. Receiver Output High Voltage vs. Temperature

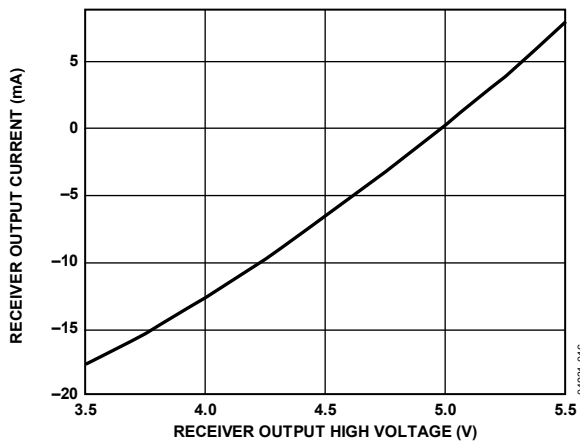


Figure 8. Receiver Output Current vs. Receiver Output High Voltage

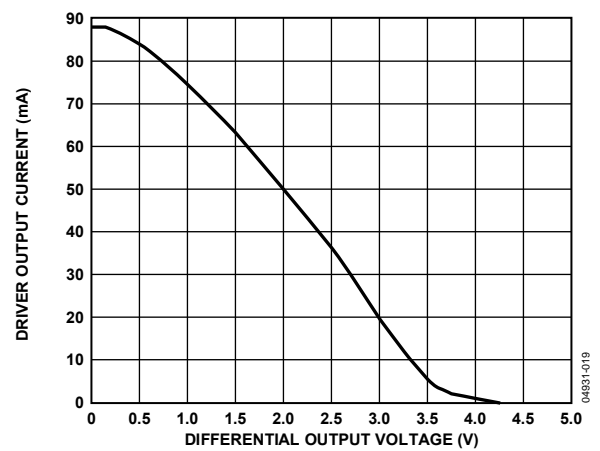


Figure 11. Driver Output Current vs. Differential Output Voltage

ADM4850/ADM4851/ADM4852/ADM4853/ADM4854/ADM4855/ADM4856/ADM4857

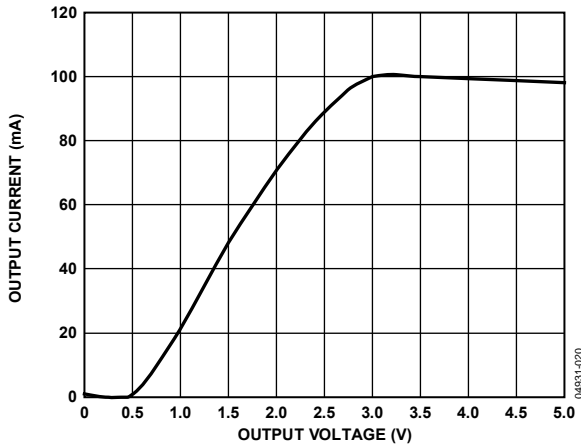


Figure 12. Output Current vs. Driver Output Low Voltage

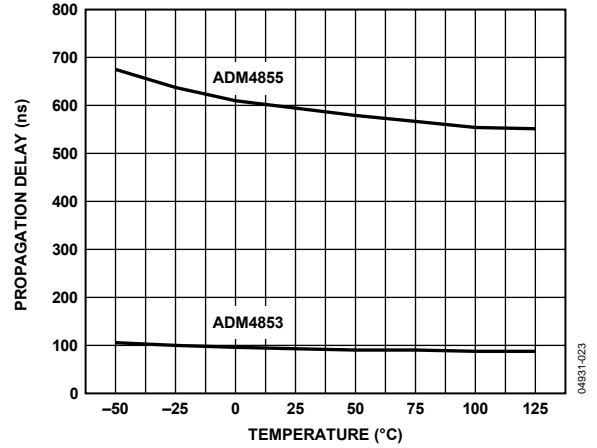


Figure 15. Receiver Propagation Delay vs. Temperature

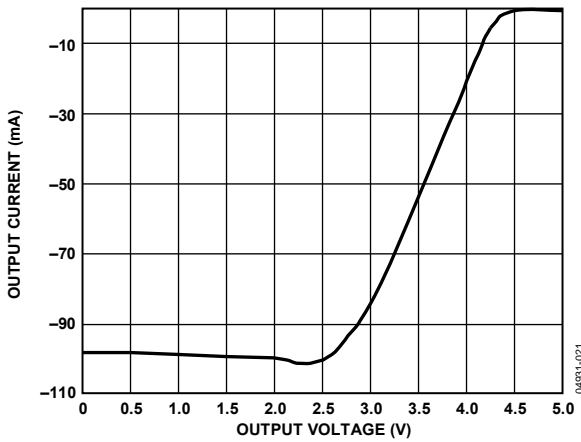


Figure 13. Output Current vs. Driver Output High Voltage

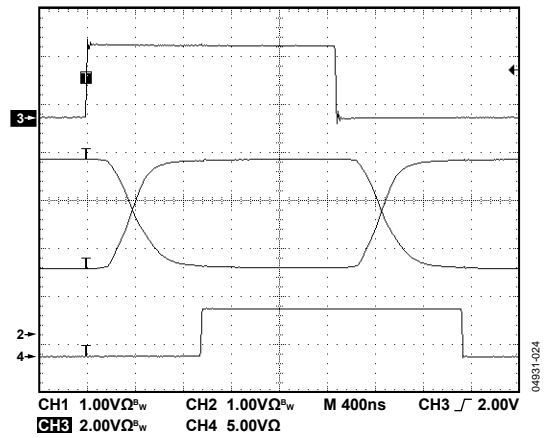


Figure 16. Driver/Receiver Propagation Delay (ADM4855, 500 kbps)

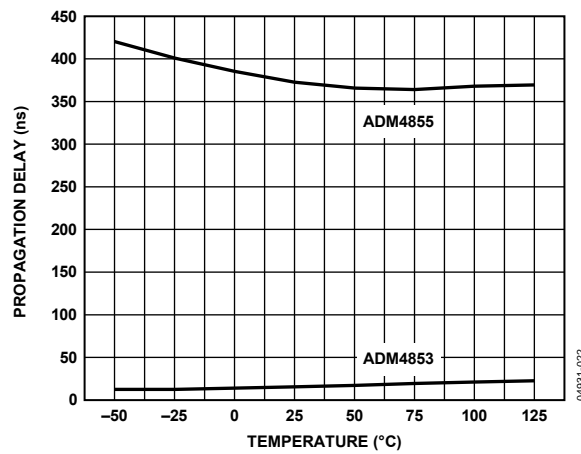


Figure 14. Driver Propagation Delay vs. Temperature

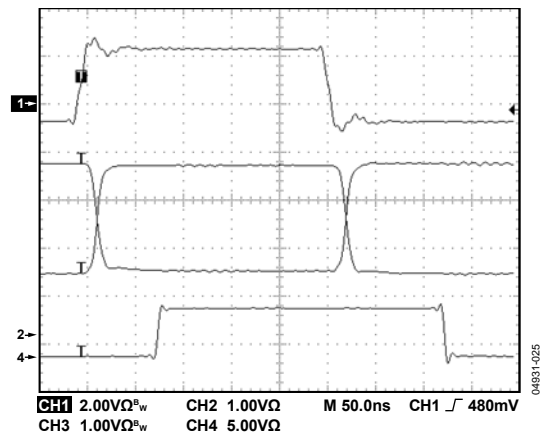


Figure 17. Driver/Receiver Propagation Delay (ADM4857, 4 Mbps)

TEST CIRCUITS

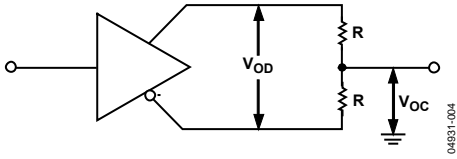


Figure 18. Driver Voltage Measurement

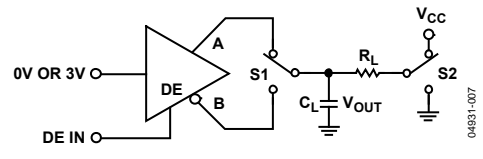


Figure 21. Driver Enable/Disable

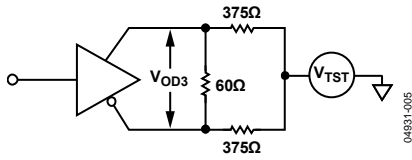


Figure 19. Driver Voltage Measurement over Common-Mode Voltage Range

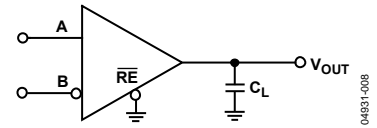


Figure 22. Receiver Propagation Delay

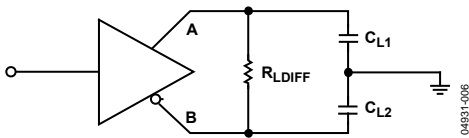


Figure 20. Driver Propagation Delay

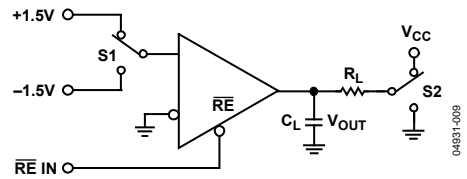


Figure 23. Receiver Enable/Disable

SWITCHING CHARACTERISTICS

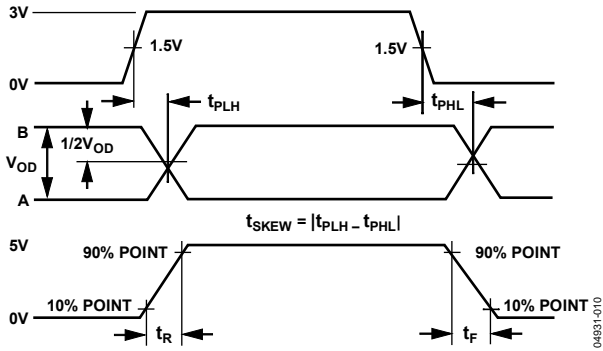


Figure 24. Driver Propagation Delay, Rise/Fall Timing

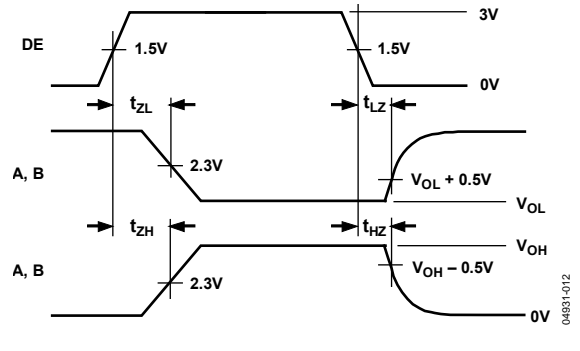


Figure 26. Driver Enable/Disable Timing

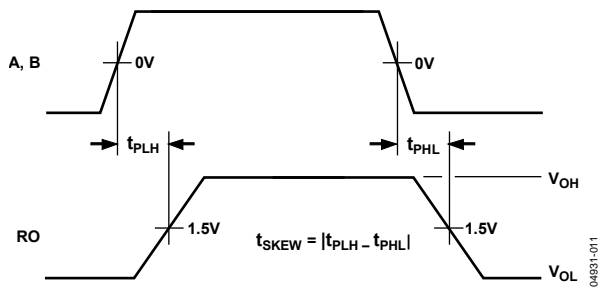


Figure 25. Receiver Propagation Delay

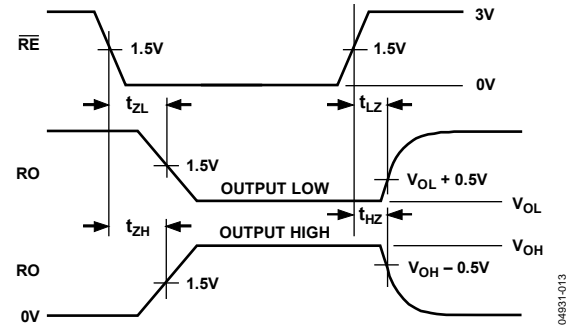


Figure 27. Receiver Enable/Disable Timing

CIRCUIT DESCRIPTION

The ADM4850/ADM4851/ADM4852/ADM4853/ADM4854/ADM4855/ADM4856/ADM4857 are high speed RS-485/RS-422 transceivers offering enhanced performance over industry-standard devices. All devices in the family contain one driver and one receiver, but offer a choice of performance options. The devices feature true fail-safe operation, which means that a logic high receiver output is guaranteed when the receiver inputs are open-circuit or short-circuit, or when they are connected to a terminated transmission line with all drivers disabled (see the Fail-Safe Operation section).

SLEW-RATE CONTROL

The ADM4850 and ADM4854 feature a controlled slew-rate driver that minimizes electromagnetic interference (EMI) and reduces reflections caused by incorrectly terminated cables, allowing error-free data transmission rates up to 115 kbps. The ADM4851 and ADM4855 offer a higher limit on driver output slew rate, allowing data transmission rates up to 500 kbps. The driver slew rates of the ADM4852 and ADM4856 and the ADM4853 and ADM4857 are not limited, offering data transmission rates up to 2.5 Mbps and 10 Mbps, respectively.

RECEIVER INPUT FILTERING

The receivers of all the devices incorporate input hysteresis. In addition, the receivers of the 115 kbps ADM4850 and ADM4854 and the 500 kbps ADM4851 and ADM4855 incorporate input filtering. This enhances noise immunity with differential signals that have very slow rise and fall times. However, it causes the propagation delay to increase by 20%.

HALF-/FULL-DUPLEX OPERATION

Half-duplex operation implies that the transceiver can transmit and receive, but it can do only one of these at any given time. However, with full-duplex operation, the transceiver can transmit and receive simultaneously. The ADM4850/ADM4851/ADM4852/ADM4853 are half-duplex devices in which the driver and the receiver share differential bus terminals. The ADM4854/ADM4855/ADM4856/ADM4857 are full-duplex devices that have dedicated driver output and receiver input pins. Figure 28 and Figure 29 show typical half- and full-duplex topologies.

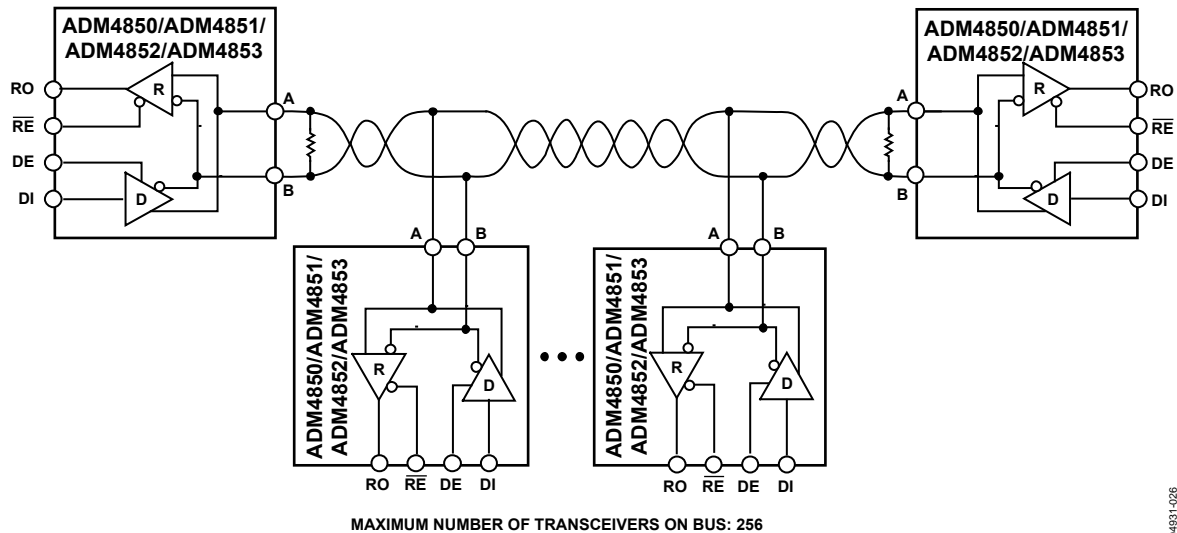


Figure 28. Typical Half-Duplex RS-485 Network Topology

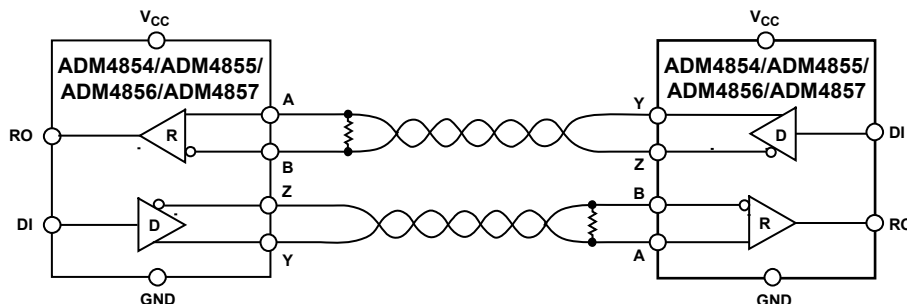


Figure 29. Typical Full-Duplex Point-to-Point RS-485 Network Topology

HIGH RECEIVER INPUT IMPEDANCE

The input impedance of the ADM4850/ADM4851/ADM4852/ADM4853/ADM4854/ADM4855/ADM4856/ADM4857 receivers is 96 k Ω , which is eight times higher than the standard RS-485 unit load of 12 k Ω . This 96 k Ω impedance enables a standard driver to drive 32 unit loads or to be connected to 256 ADM4850/ADM4851/ADM4852/ADM4853/ADM4854/ADM4855/ADM4856/ADM4857 receivers. An RS-485 bus, driven by a single standard driver, can be connected to a combination of ADM4850/ADM4851/ADM4852/ADM4853/ADM4854/ADM4855/ADM4856/ADM4857 devices and standard unit load receivers, up to an equivalent of 32 standard unit loads.

THREE-STATE BUS CONNECTION

The half-duplex parts (ADM4850/ADM4851/ADM4852/ADM4853) have a driver enable (DE) pin that enables the driver outputs when taken high, or puts the driver outputs into a high impedance state when taken low. Similarly, the half-duplex devices have an active low receiver enable ($\overline{\text{RE}}$) pin. Taking this pin low enables the receiver, whereas taking it high puts the receiver outputs into a high impedance state. This allows several driver outputs to be connected to an RS-485 bus. Note that only one driver should be enabled at a time, but that many receivers can be enabled.

SHUTDOWN MODE

The ADM4850/ADM4851/ADM4852/ADM4853 have a low power shutdown mode, which is enabled by taking $\overline{\text{RE}}$ high and DE low. If shutdown mode is not used, the fact that DE is active high and $\overline{\text{RE}}$ is active low offers a convenient way of switching the device between transmit and receive by tying DE and $\overline{\text{RE}}$ together.

If DE is driven low and $\overline{\text{RE}}$ is driven high for less than 50 ns, the devices are guaranteed not to enter shutdown mode. If DE is driven low and $\overline{\text{RE}}$ is driven high for at least 3000 ns, the devices are guaranteed to enter shutdown mode.

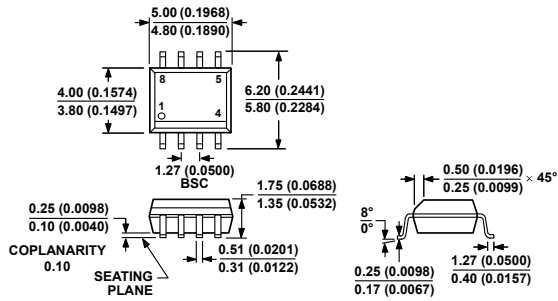
FAIL-SAFE OPERATION

The ADM4850/ADM4851/ADM4852/ADM4853/ADM4854/ADM4855/ADM4856/ADM4857 offer true fail-safe operation while remaining fully compliant with the ± 200 mV EIA/TIA-485 standard. A logic high receiver output is generated when the receiver inputs are shorted together or open circuit, or when they are connected to a terminated transmission line with all drivers disabled. This is done by setting the receiver threshold between -30 mV and -200 mV. If the differential receiver input voltage ($A - B$) is greater than or equal to -30 mV, RO is logic high. If ($A - B$) is less than or equal to -200 mV, RO is logic low. In the case of a terminated bus with all transmitters disabled, the differential input voltage of the receiver is pulled to 0 V by the internal circuitry of the ADM4850/ADM4851/ADM4852/ADM4853/ADM4854/ADM4855/ADM4856/ADM4857, which results in a logic high with 30 mV minimum noise margin.

CURRENT LIMIT AND THERMAL SHUTDOWN

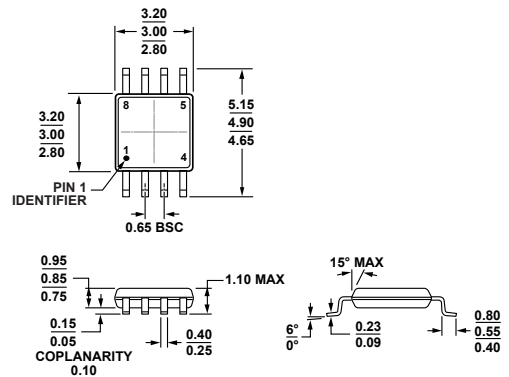
The ADM4850/ADM4851/ADM4852/ADM4853/ADM4854/ADM4855/ADM4856/ADM4857 incorporate two protection mechanisms to guard the drivers against short circuits, bus contention, or other fault conditions. The first is a current limiting output stage, which protects the driver against short circuits over the entire common-mode voltage range by limiting the output current to approximately 70 mA. Under extreme fault conditions where the current limit is not effective, a thermal shutdown circuit puts the driver outputs into a high impedance state if the die temperature exceeds 150°C, and does not turn them back on until the temperature falls to 130°C.

OUTLINE DIMENSIONS



COMPLIANT TO JEDEC STANDARDS MS-012-AA
 CONTROLLING DIMENSIONS ARE IN MILLIMETERS; INCH DIMENSIONS (IN PARENTHESES) ARE ROUNDED-OFF MILLIMETER EQUIVALENTS FOR REFERENCE ONLY AND ARE NOT APPROPRIATE FOR USE IN DESIGN.

Figure 30. 8-Lead Standard Small Outline Package [SOIC_N] Narrow Body (R-8)
 Dimensions shown in millimeters and (inches)



COMPLIANT TO JEDEC STANDARDS MO-187-AA

Figure 31. 8-Lead Mini Small Outline Package [MSOP] (RM-8)
 Dimensions shown in millimeters

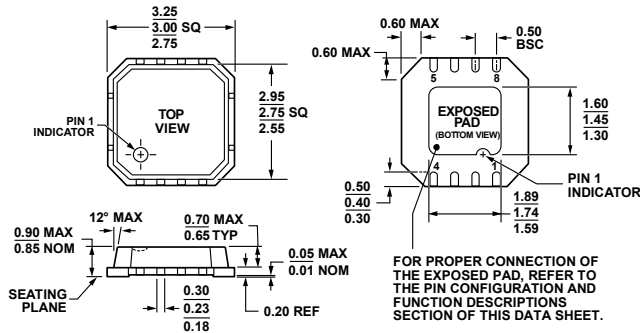


Figure 32. 8-Lead Lead Frame Chip Scale Package [LFCS_P_VD] 3 mm x 3 mm Body, Very Thin, Dual Lead (CP-8-2)
 Dimensions shown in millimeters

ADM4850/ADM4851/ADM4852/ADM4853/ADM4854/ADM4855/ADM4856/ADM4857

ORDERING GUIDE

| Model ^{1, 2} | Temperature Range | Package Description | Package Option | Branding |
|-----------------------|-------------------|---------------------|----------------|----------|
| ADM4850ACPZ-REEL7 | -40°C to +85°C | 8-Lead LFCSP_VD | CP-8-2 | M8Q |
| ADM4850ARZ | -40°C to +85°C | 8-Lead SOIC_N | R-8 | |
| ADM4850ARZ-REEL7 | -40°C to +85°C | 8-Lead SOIC_N | R-8 | |
| ADM4850ARMZ | -40°C to +85°C | 8-Lead MSOP | RM-8 | M8Q |
| ADM4850ARMZ-REEL7 | -40°C to +85°C | 8-Lead MSOP | RM-8 | M8Q |
| ADM4851ARZ | -40°C to +85°C | 8-Lead SOIC_N | R-8 | |
| ADM4851ARZ-REEL7 | -40°C to +85°C | 8-Lead SOIC_N | R-8 | |
| ADM4852ACPZ-REEL7 | -40°C to +85°C | 8-Lead LFCSP_VD | CP-8-2 | M9M |
| ADM4852ARZ | -40°C to +85°C | 8-Lead SOIC_N | R-8 | |
| ADM4852ARZ-REEL7 | -40°C to +85°C | 8-Lead SOIC_N | R-8 | |
| ADM4853ACPZ-REEL7 | -40°C to +85°C | 8-Lead LFCSP_VD | CP-8-2 | FOB |
| ADM4853ARZ | -40°C to +85°C | 8-Lead SOIC_N | R-8 | |
| ADM4853ARZ-REEL7 | -40°C to +85°C | 8-Lead SOIC_N | R-8 | |
| ADM4853WARZ-RL7 | -40°C to +85°C | 8-Lead SOIC_N | R-8 | |
| ADM4854ARZ | -40°C to +85°C | 8-Lead SOIC_N | R-8 | |
| ADM4855AR-REEL7 | -40°C to +85°C | 8-Lead SOIC_N | R-8 | |
| ADM4855ARZ | -40°C to +85°C | 8-Lead SOIC_N | R-8 | |
| ADM4856ARZ | -40°C to +85°C | 8-Lead SOIC_N | R-8 | |
| ADM4856ARZ-REEL7 | -40°C to +85°C | 8-Lead SOIC_N | R-8 | |
| ADM4857ARZ | -40°C to +85°C | 8-Lead SOIC_N | R-8 | |
| ADM4857ARZ-REEL7 | -40°C to +85°C | 8-Lead SOIC_N | R-8 | |

¹ Z = RoHS Compliant Part.

² W = qualified for automotive products.

AUTOMOTIVE PRODUCT

The ADM4853WARZ-RL7 model is available with controlled manufacturing to support the quality and reliability requirements of automotive applications. Note that these automotive models may have specifications that differ from the commercial models; therefore, designers should review the Specifications section of this data sheet carefully. Only the automotive grade products shown are available for use in automotive applications. Contact your local Analog Devices account representative for specific product ordering information and to obtain the specific Automotive Reliability reports for this model.